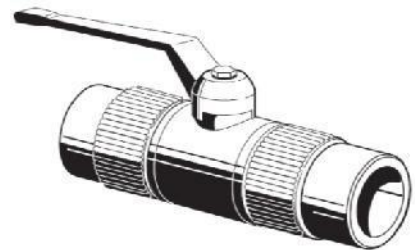
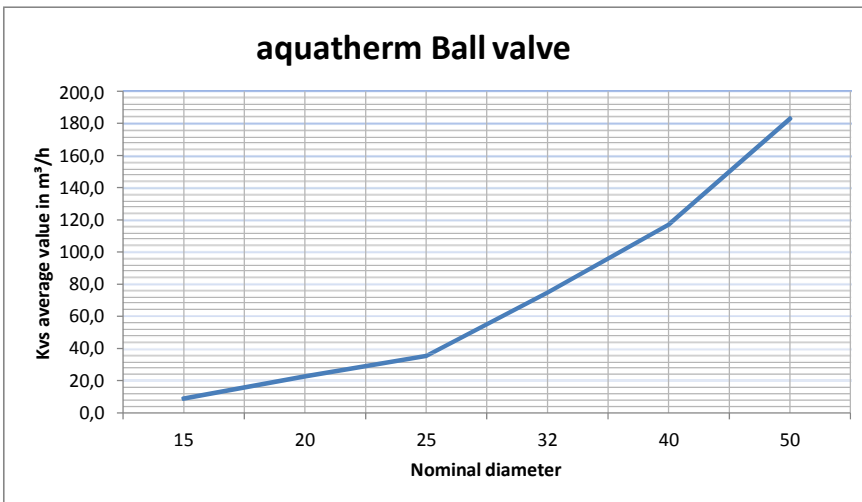


# aquatherm green pipe

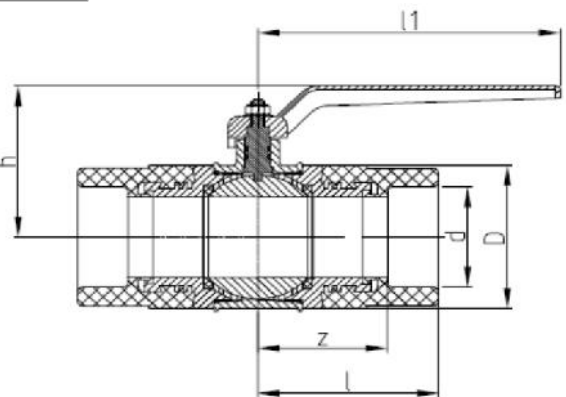
## aquatherm green pipe - Ball valve

**Systems :** aquatherm green pipe, aquatherm blue pipe, aquatherm lilac pipe  
**Material:** fusiolen PP-R / Brass / EPDM O-Ring and PTFE ball seat  
**Pipe series:** SDR 6  
**Colour:** green

Allowed working conditions: The relation between operating temperature, pressure load and calculated service life can be taken from the technical documentation (Table of operating pressure).



DN	15	20	25	32	40	50
mm (d)	20	25	32	40	50	63
Zeta value 1988-3	1	0,5	0,5	0,3	0,3	0,3
K vs average value	9,0	22,7	35,4	74,9	117,0	182,8



### Ball valve

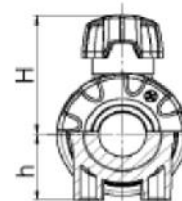
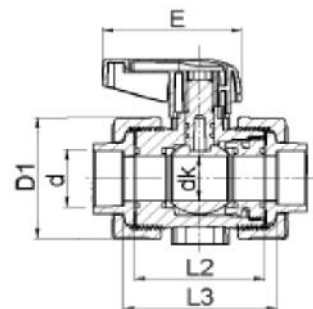
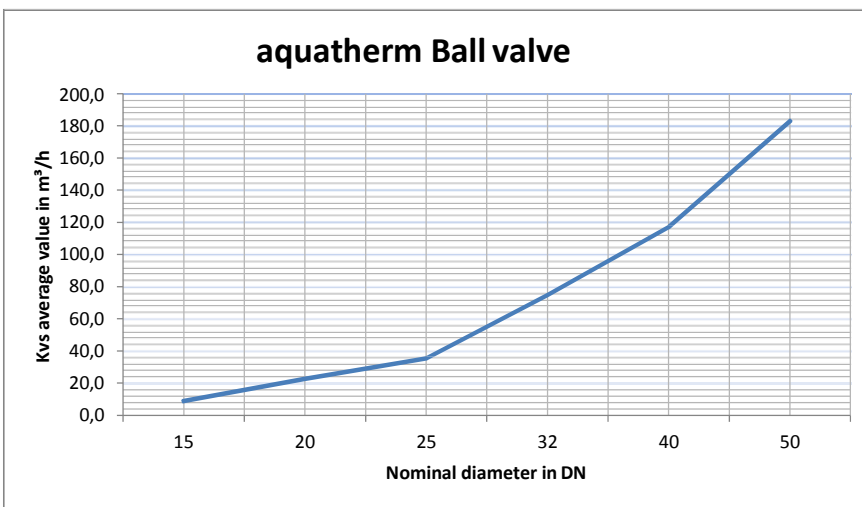
Art. No	OD [mm]	PII	d	l	z	D	h	l1	Weight kg/Pc
			[mm]	[mm]	[mm]	[mm]	[mm]	[mm]	
41308	20	1 St	20,00	55,00	40,50	32,00	66,00	85,00	0,280
41310	25	1 St	25,00	55,00	39,00	41,00	73,00	85,00	0,375
41312	32	1 St	32,00	63,50	45,50	47,00	82,00	108,00	0,592
41314	40	1 St	40,00	72,50	52,00	58,00	93,00	108,00	1,034
41316	50	1 St	50,00	83,50	60,00	70,50	114,00	140,00	1,339
41318	63	1 St	63,00	102,50	75,00	87,00	132,00	140,00	2,552

# aquatherm green pipe

## aquatherm green pipe - Ball valve PP Design with union nut and welding socket

Systems : aquatherm green pipe, aquatherm blue pipe, aquatherm lilac pipe  
 Material: fusiolen PP-R / EPDM O-Ring and PTFE ball seat  
 Pipe series: SDR 6  
 Colour: green

Allowed working conditions: The relation between operating temperature, pressure load and calculated service life can be taken from the technical documentation (Table of operating pressure).



DN	15	20	25	32	40	50
mm (d)	20	25	32	40	50	63
Zeta value 1988-3	1	0,5	0,5	0,3	0,3	0,3
K vs average value	9,0	22,7	35,4	74,9	117,0	182,8

### PP Ball valve 20 - 63 mm

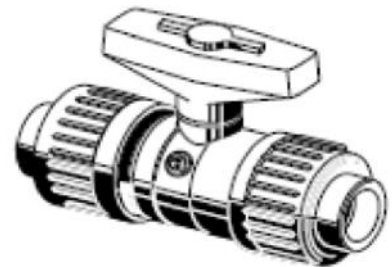
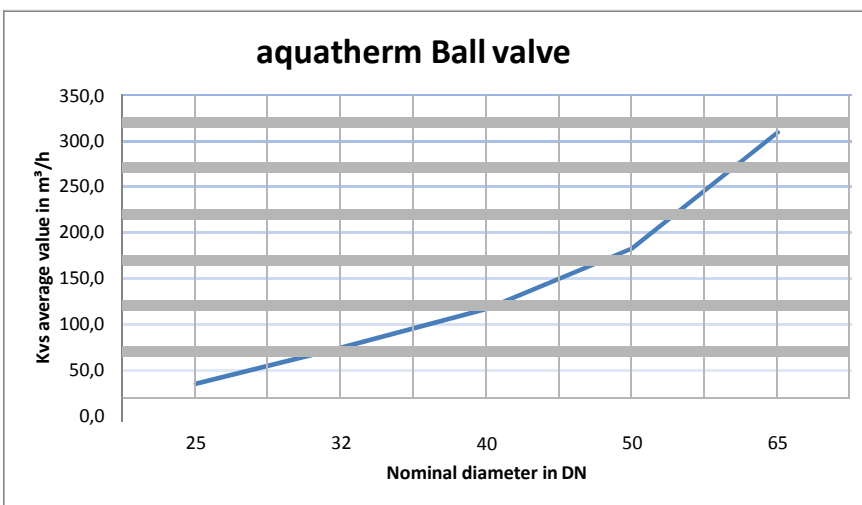
Art - No	DN	PII	d	L2	L3	dk	D1	E	h	H	DN	Weight
			[mm]	(mm)	(mm)	(mm)	(mm)	(mm)	(mm)	[mm]		
41488	20	1 St	20	56,50	68,00	13,50	50,30	66,00	27,00	48,00	15	0,118
41490	25	1 St	25	65,50	78,50	18,50	59,00	81,00	30,00	56,50	20	0,188
41492	32	1 St	32	72,00	84,50	23,90	70,30	81,00	40,00	64,50	25	0,277
41494	40	1 St	40	85,00	100,00	31,00	85,90	91,50	46,00	83,30	32	0,434
41496	50	1 St	50	89,00	107,00	38,50	99,50	91,50	55,00	89,40	40	0,549
41498	63	1 St	63	101,00	118,00	50,00	125,50	141,50	70,00	115,00	50	0,922

# aquatherm green pipe

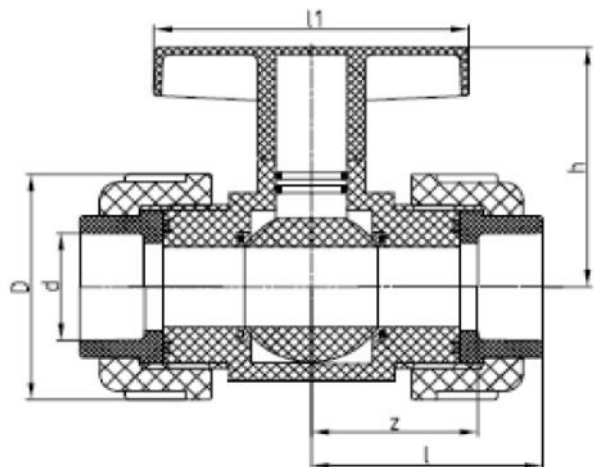
## aquatherm green pipe - Ball valve PP Design with union nut and welding socket

Systems : aquatherm green pipe, aquatherm blue pipe, aquatherm lilac pipe  
 Material: fusiolen PP-R / EPDM O-Ring and PTFE ball seat  
 Pipe series: SDR 6  
 Colour: green

Allowed working conditions: The relation between operating temperature, pressure load and calculated service life can be taken from the technical documentation (Table of operating pressure).



DN	25	32	40	50	65
mm (d)	32	40	50	63	75
Zeta value 1988-3	0,5	0,3	0,3	0,3	0,3
K vs average value	35,4	74,9	117,0	182,8	309,0



### PP Ball valve 75 mm

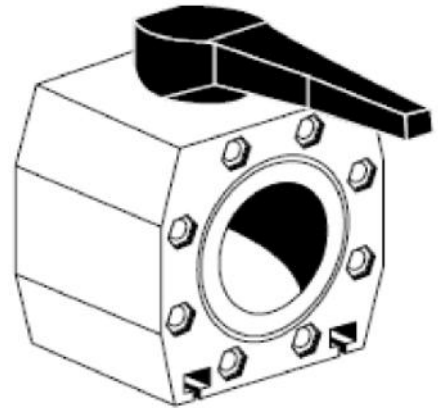
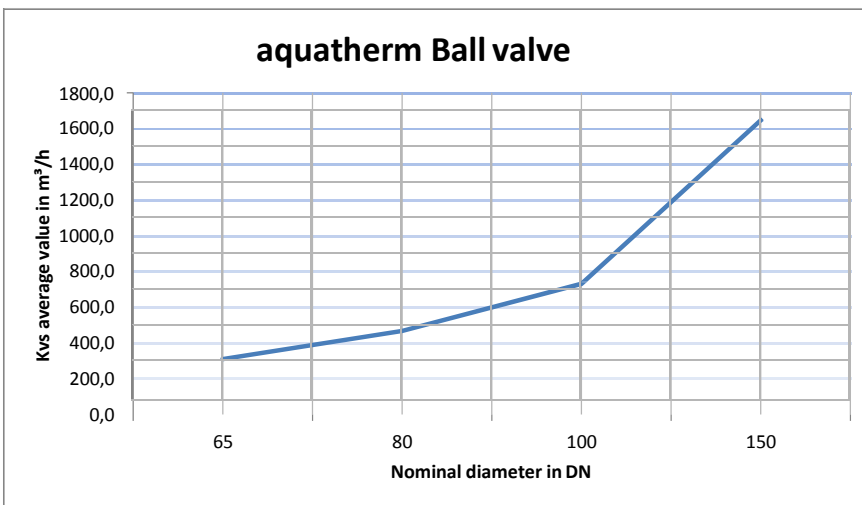
			d	l	z	D	h	l1			DN	Weight
			[mm]	(mm)	(mm)	(mm)	(mm)	(mm)				kg/Pc
41400	75	1 St	75	138,00	108,00	129,00	137,00	186,00			65	2,615

# aquatherm green pipe

## aquatherm green pipe - Ball valve PP Design with union nut and welding socket

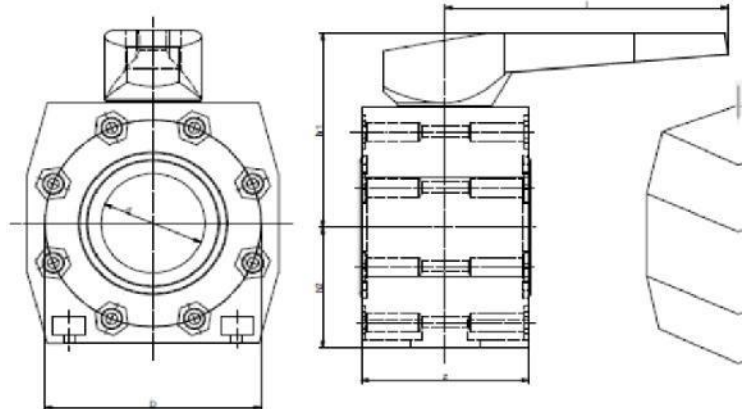
**Systems :** aquatherm green pipe, aquatherm blue pipe, aquatherm lilac pipe  
**Material:** fusiolen PP-R / EPDM O-Ring and PTFE ball seat  
**Pipe series:** SDR 6  
**Colour:** green

Allowed working conditions: The relation between operating temperature, pressure load and calculated service life can be taken from the technical documentation (Table of operating pressure).



DN	65	80	100	150
mm (d)	75	90	110	160
Zeta value 1988-3	0,3	0,3	0,3	0,3
K vs average value	309,0	468,0	731,3	1645,4

Screw tightening torque (guide value)				
mm (d)	75	90	110	160
Nm	20	20	20	20



### PP Ball valve 75 - 160 mm

	d	l	z	D	h1	h2			DN	Weight
41601	75	1 St	64	210,00	112,00	145,00	142,00	84,50	65	3,700
41602	90	1 St	77	210,00	124,00	160,00	150,00	93,00	80	4,171
41604	110	1 St	94	260,00	145,00	180,00	165,00	103,00	100	5,612
41607	160	1 St	135	310,00	205,00	240,00	210,00	136,50	150	5,615